



# HP-N-Ex

The HP-N-Ex ionising air blower consists of a motor and a fan. The ambient air is drawn on one side and blown off along an anti-static bar. The effective ionising width is 500 mm. This ionisation blower has been approved for use in certain explosion-hazardous environments. The power unit is integrated in the anti-static bar.

Simco-Ion anti-static bars are also available for applications requiring long range neutralisation and for being used in certain hazardous zones. These anti-static bars are shock-proof; every emitter pin is coupled capacitively to the high voltage. The anti-static bar for hazardous areas is equipped with an integrated power unit, so the need for an external high-voltage cable is eliminated. For larger working distance or 3D objects an ioniser including blower is available.

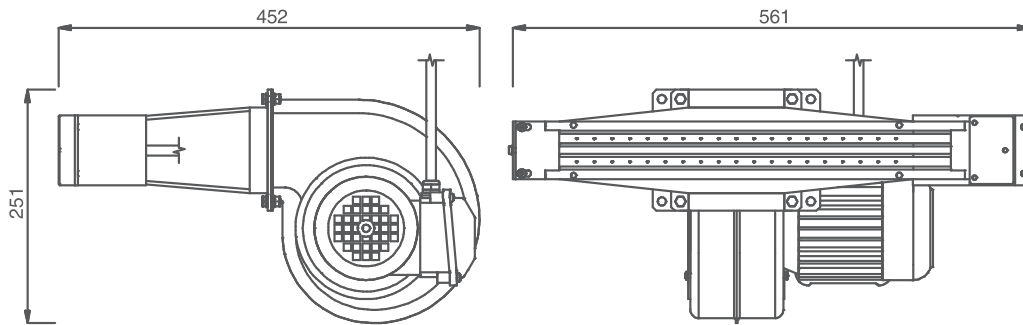
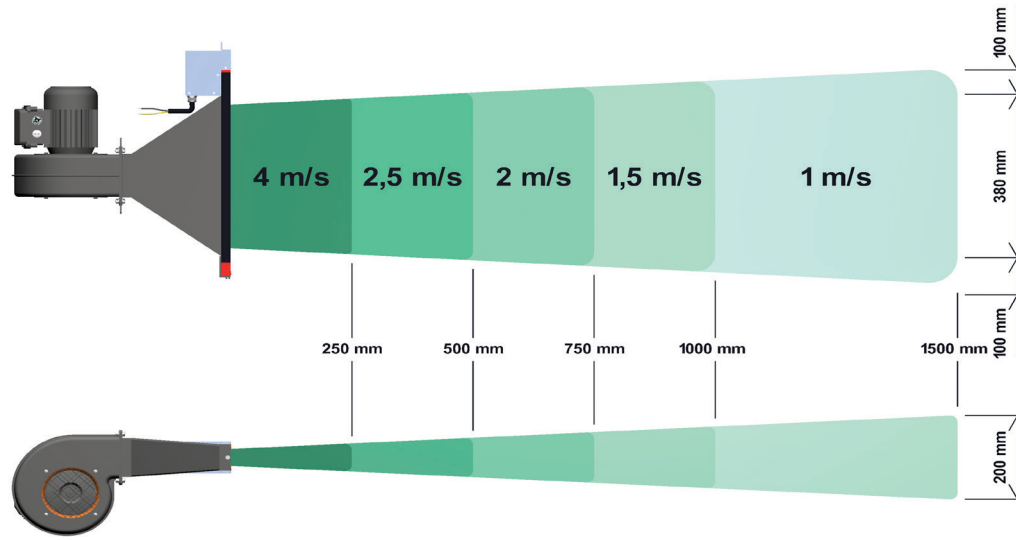
## Features:

- ⊕ Long range neutralisation
- ⊕ ATEX approval



## Technical specifications

Working distance	1500 mm max.
Working width	500 mm
Housing material	Aluminum/ steel
Innerbar material	PVC
Emitter pins	special alloy
Cable bar	5 m (Neoprene)
Cable motor	5 m (Neoprene)
Weight	13 kg
Ambient temperature	0 - 40 °C
Use circumstances	Industrial
Noise level	60 dB (A) (at 1 metre)
U primary	230/ 400 V AC, 50 Hz, 3 phase
Power consumption	120 Watt
Options	neon lamp, external
Suitable power unit	intergrated
Approval	ATEX
ATEX catagory	II 2 G Ex smb IIB T4 (bar) II 2 G c T4 (Blower) II 2 G Ex e II T4 (motor)
ATEX certificate	BASOOATEX2162X PTBO2ATEX3114



Technical drawing HP-N-Ex

**Simco-Ion Netherlands**

- Postbus 71  
 + Lochem, The Netherlands NL-7240 AB  
 - Tel: +31 (0)573 288333  
 + Fax: +31 (0)573 257319  
 + general@simco-ion.nl  
 - www.simco-ion.nl