

# Indoor air temperature sensor ET711



## Features

- For temperatures from -20 to +50 °C
- Pt100, Pt500, Pt1000, PTC1000 or NTC sensor
- White plastic terminal box, internal sensor
- 4-20 mA, 0-10 V or RS-485 Modbus RTU

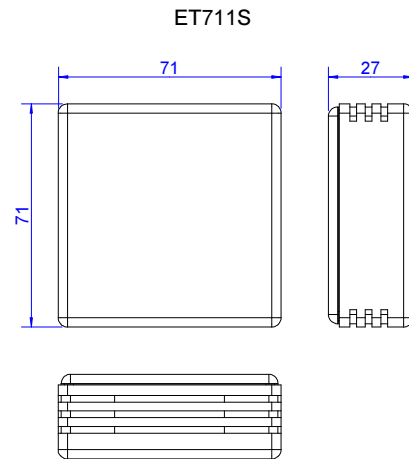
## Specifications

Sensing element	Pt100 class A to EN60751 as standard optionally Pt500, Pt1000, PTC1000, NTC10 or other thermistors
Measurement range	-20...+50 °C
Cable connections	screw terminal block, 2- or 3-wire sensor connection
Operating environment	residential, business and industrial indoor spaces
Operating conditions	-20...+50 °C, <95 %RH, without condensation
Enclosure	white plastic with ventilation slots, wall mount, protection class IP20
Dimensions	S: H71 × W71 × D27 mm M: H85 × W85 × D37 mm
Analog output options	-B: plain terminal block -I: transmitter 4-20 mA =T1-T2 °C (for enclosure -M only) -U: transmitter 0-10 V =T1-T2 °C (for enclosure -M only)
Digital interface option	-485: digital interface, RS485, Modbus RTU protocol (for enclosure -M only)

## Ordering code

ET711[1]-[2]-[3]

- 1 - S: small enclosure, M: medium enclosure  
2 - specify sensing element type, e.g. Pt100, Pt1000, NTC10K ...  
3 - specify output option I / U / 485



ET711M

