

# Pipe surface temperature sensor

## ET741



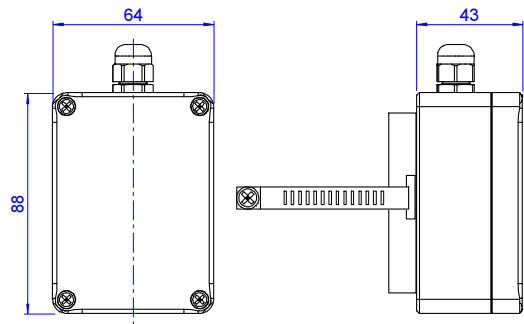
### Features

- For surface temperatures from -40 to +90 °C
- Mounting on water pipes with metal straps
- Pt100, Pt500, Pt1000, PTC1000 or NTC sensor
- Grey plastic terminal box, bottom surface sensor
- 4-20 mA, 0-10 V or RS-485 Modbus RTU

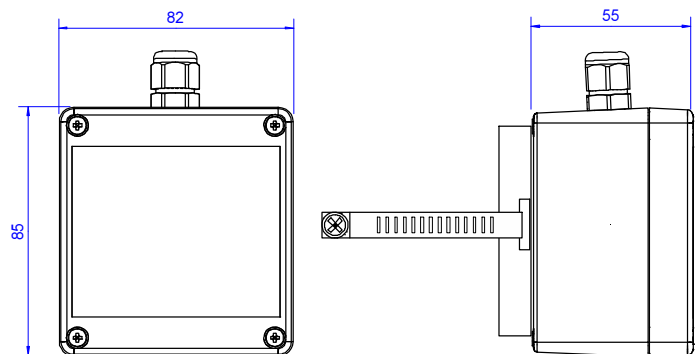
### Specifications

Sensing element	Pt100 class A to EN60751 as standard optionally Pt500, Pt1000, PTC1000, NTC10 or other thermistors
Measurement range	-40...+90 °C
Cable connections	screw terminal block, 2- or 3-wire sensor connection
Operating environment	residential, business and industrial indoor spaces
Operating conditions	-40...+85 °C, 0...100 %RH
Pipe mount enclosure	S: light grey PS, protection class IP55 M: grey ABS, protection class IP66
Dimensions	S: H88 × W65 × D43 mm M: H85 × W80 × D55 mm
Analog output options	-B: plain terminal block -I: transmitter 4-20 mA =T1-T2 °C (for enclosure -M only) -U: transmitter 0-10 V =T1-T2 °C (for enclosure -M only)
Digital interface option	-485: digital interface, RS485, Modbus RTU protocol (for enclosure -M only)

ET741S



ET741M



### Ordering code

**ET741[1]-[2]-[3]-[4]**

- 1 - S: small enclosure, M: medium enclosure
- 2 - specify sensing element type, e.g. Pt100, Pt1000, NTC10K ...
- 3 - specify output option B / I / U / 485
- 4 - specify tightening strap diameter, mm