

PERFOMASTER PART NUMBERS

0930076100, HV control voltage 0-10 v

0930076101, HV control voltage 0-24 v

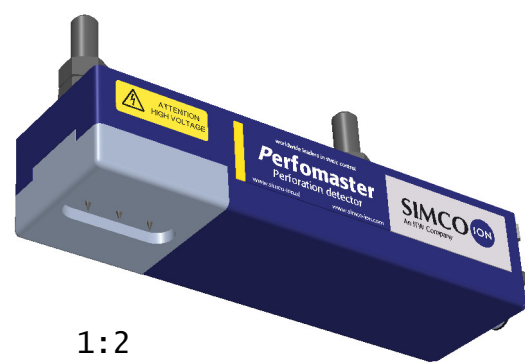
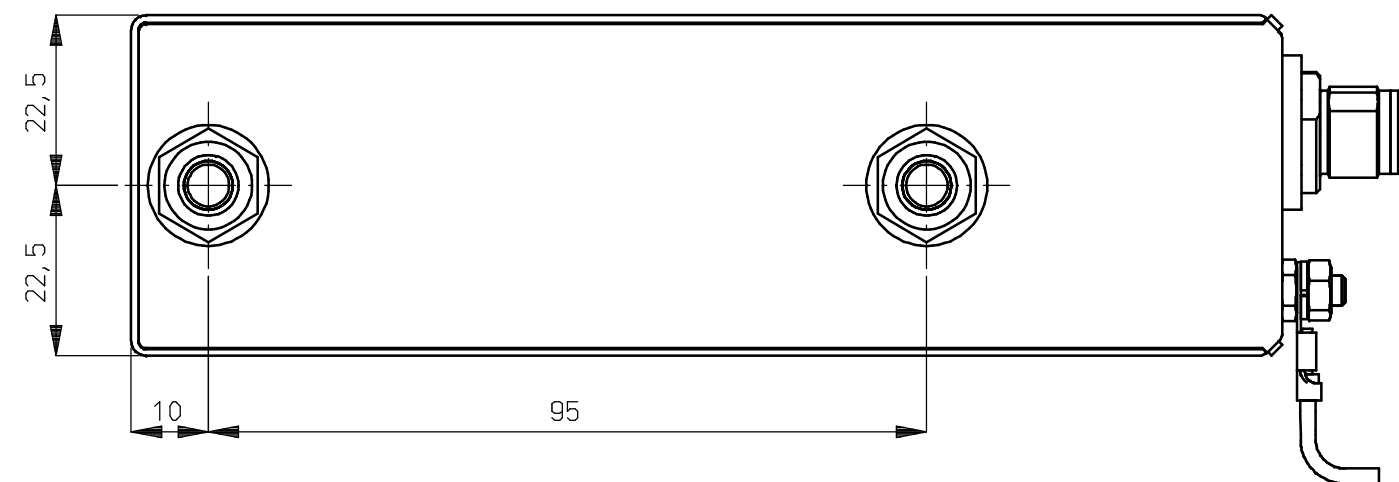
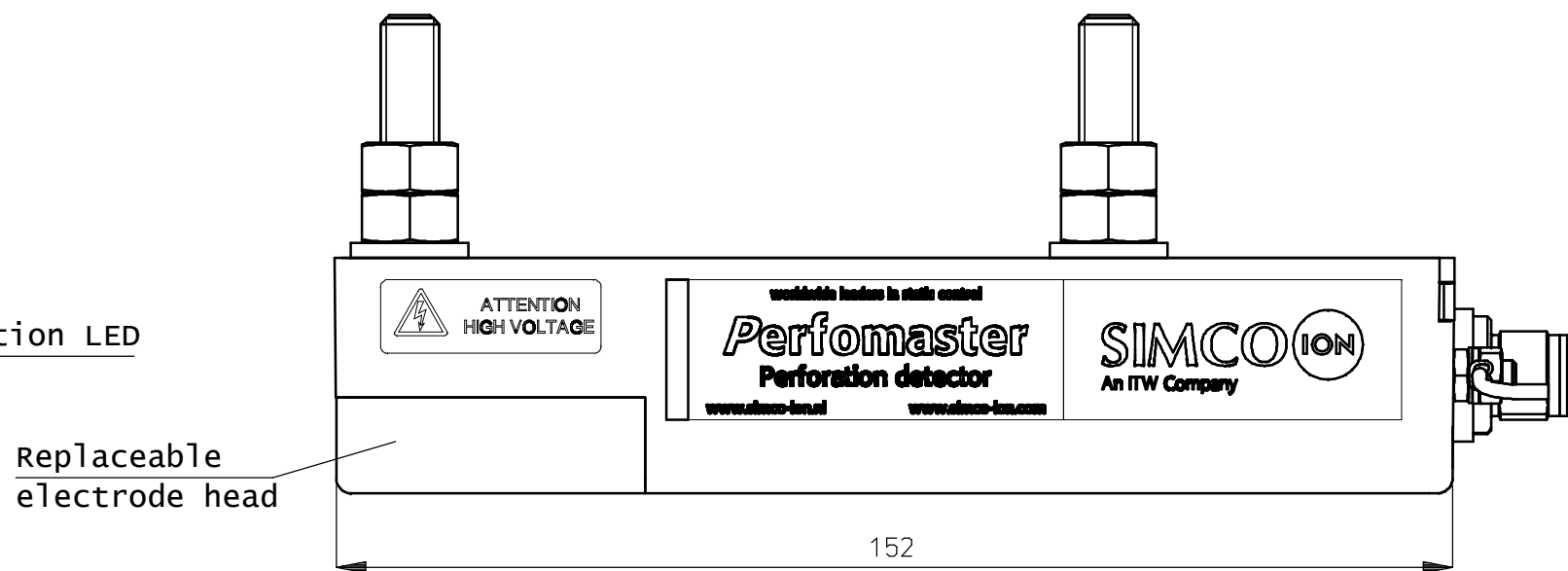
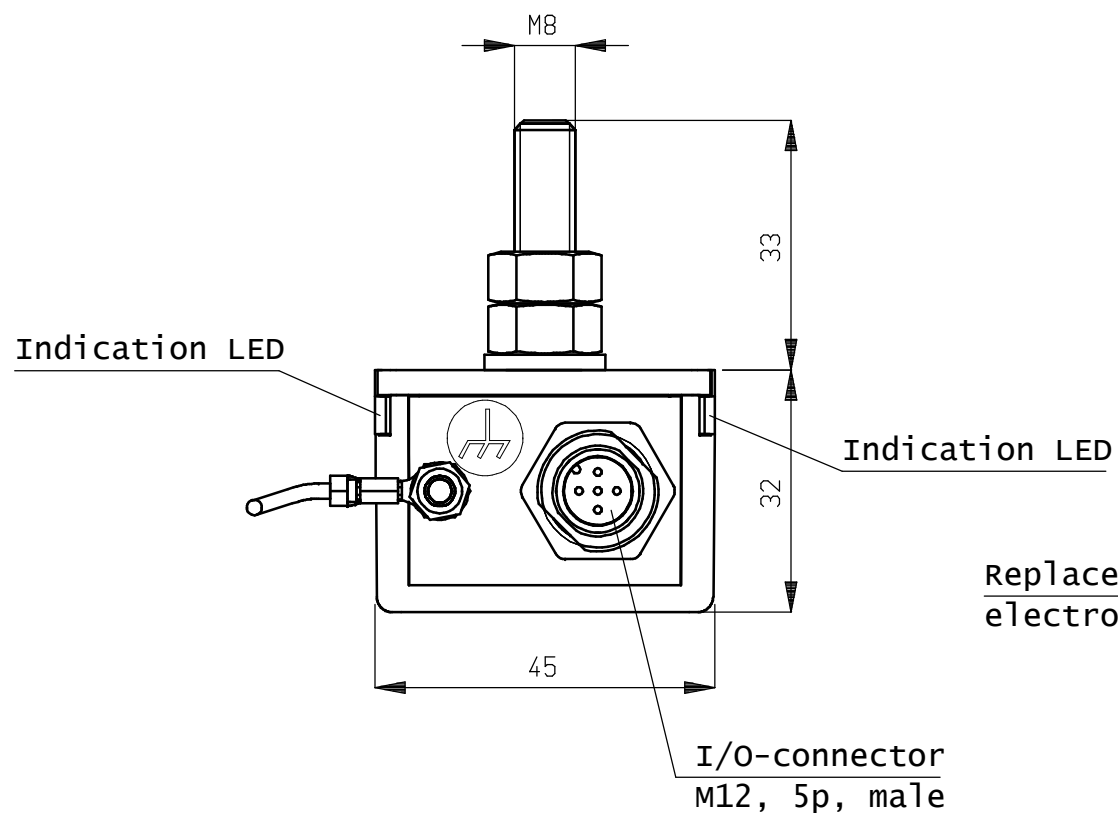
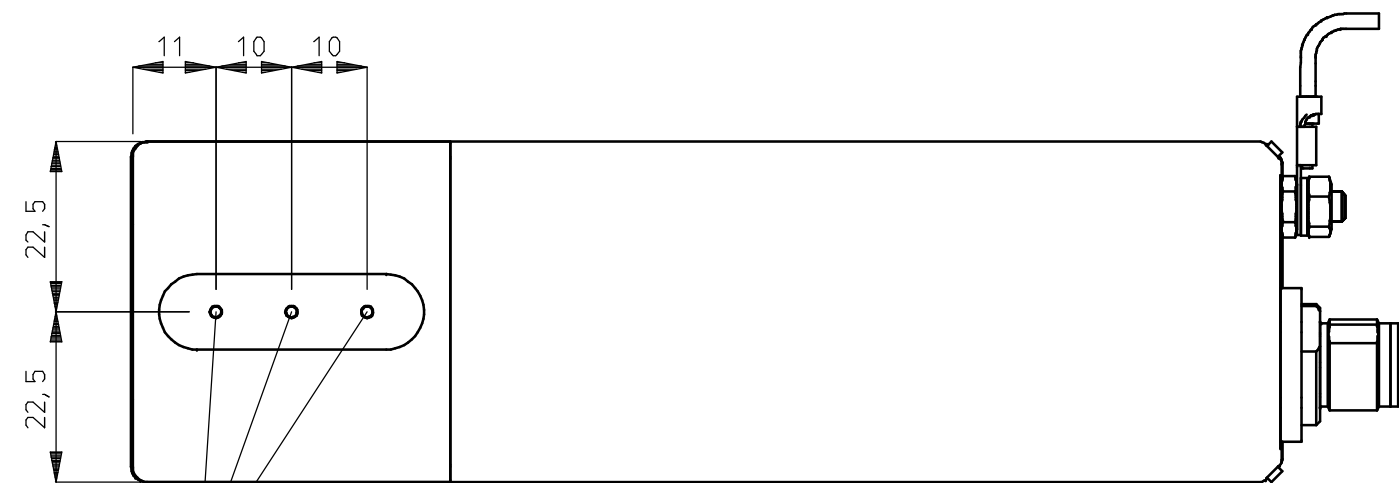
Included:

- 3 spare electrodes, part no. 3930000100 (3 pieces)

Optional connection cables with M12 connector:

- 5 m with angled connector, part no. 7519020375

- 5 m with straight connector, part no. 7519020365



 An ITW Company	Name: Perforation detector type Perfomaster				Drawn: AB	Part no.: 09300761xx
	CAD generated NOT updated	Dimensions in mm	Date: 16-12-2010	A3 M: 1:1	ECN2013-005	Check: -