

# //MINIATURE SENSORS

## SPACE IN THE SMALLEST SYSTEM

For constrained spaces and special applications, Leuze electronic offers miniature sensor versions in a wide range of designs.

### /// IS 255



This subminiature sensor in a cubic housing measuring just 5x5 mm doesn't need to hide.



**Benefits:**

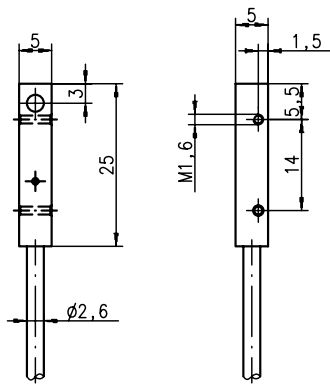
- Laterally aligned sensor field for space and hence cost-saving integration
- Short response times for reliable detection in dynamic processes



Direct access to the online product selector at [www.leuze.com/en/is255](http://www.leuze.com/en/is255)

Part no.	Part description	Operating range Sa Typ. operating range limit Sn	Switching frequency	Type of installation	Switching output 1	Description	Connection	Material
50117200	IS 255MP/4NO-1E5,200-S8.3	0 ... 1.2 mm 1.5 mm	3,000 Hz	Embedded	Transistor, PNP, make-contact (NO)	DC	Cable with connector, 200 mm, M8, 3-pin	Metal
50113209	IS 255MP/4NO-1E5	0 ... 1.2 mm 1.5 mm	3,000 Hz	Embedded	Transistor, PNP, make-contact (NO)	DC	Cable, 2,000 mm, 3-wire	Metal
50113210	IS 255MP/2NO-1E5	0 ... 1.2 mm 1.5 mm	3,000 Hz	Embedded	Transistor, NPN, make-contact (NO)	DC	Cable, 2,000 mm, 3-wire	Metal

### Dimensioned drawings: IS 255



IS 255 series

Switching sensors

Measuring sensors

Products for safety at work

Identification

Data transmission / Control components

Industrial image processing

Accessories

**/// IS 204**



A cylindrical sensor with a diameter of just 4 mm fits in every system.



**Benefits:**

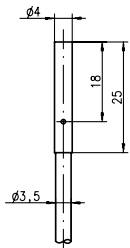
- Very small construction for integration in extremely confined spaces
- Large ranges offer broad application flexibility and sufficient function reserves for reliable detection even of different metals
- Short response times for reliable detection in dynamic processes



Direct access to the online product selector at [www.leuze.com/en/is204](http://www.leuze.com/en/is204)

Part no.	Part description	Operating range Sa Typ. operating range limit Sn	Switching frequency	Type of installation	Switching output 1	Description	Connection	Material
50113478	IS 204MP/4NO-1E5	0 ... 1.2 mm 1.5 mm	3,000 Hz	Embedded	Transistor, PNP, make-contact (NO)	DC	Cable, 2,000 mm, 3-wire	Stainless steel

**Dimensioned drawings: IS 204**



IS 204 series

**/// IS 205**



With its M5 fine thread, this sensor can be very easily mounted even in constrained spaces.



**Benefits:**

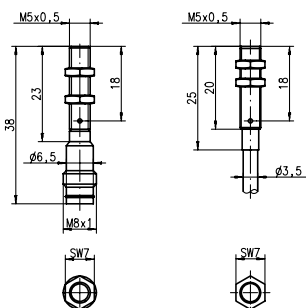
- Very small construction for integration in extremely confined spaces
- Clearly visible indicator for precise alignment
- Short response times for reliable detection in dynamic processes



Direct access to the online product selector at [www.leuze.com/en/is205](http://www.leuze.com/en/is205)

Part no.	Part description	Operating range Sa Typ. operating range limit Sn	Switching frequency	Type of installation	Switching output 1	Description	Connection	Material
50113212	IS 205MM/4NO-1E5-S8.3	0 ... 1.2 mm 1.5 mm	3,000 Hz	Embedded	Transistor, PNP, make-contact (NO)	DC	Connector, M8, 3-pin	Stainless steel
50113213	IS 205MM/4NO-1E5	0 ... 1.2 mm 1.5 mm	3,000 Hz	Embedded	Transistor, PNP, make-contact (NO)	DC	Cable, 2,000 mm, 3-wire	Stainless steel

**Dimensioned drawings: IS 205**



IS 205 series

/// IS 206



This miniature sensor convinces with ranges of up to 3.0 mm with completely flush mounting.



**Benefits:**

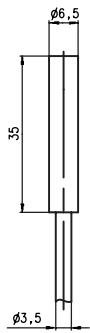
- Very small construction for integration in extremely confined spaces
- Large ranges offer broad application flexibility and sufficient function reserves for reliable detection even of different metals
- Short response times for reliable detection in dynamic processes



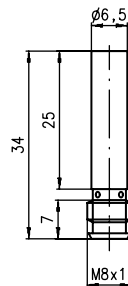
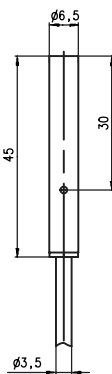
Direct access to the online product selector at [www.leuze.com/en/is206](http://www.leuze.com/en/is206)

Part no.	Part description	Operating range Sa Typ. operating range limit Sn	Switching frequency	Type of installation	Switching output 1	Description	Connection	Material
50109686	IS 206MP/4NO-3E0	0 ... 2.4 mm 3 mm	1,000 Hz	Embedded	Transistor, PNP, make-contact (NO)	DC	Cable, 2,000 mm, 3-wire	Metal
50111438	ISS 206MP/4NO-2E0-S8.3	0 ... 1.6 mm 2 mm	5,000 Hz	Embedded	Transistor, PNP, make-contact (NO)	DC	Connector, M8, 3-pin	Stainless steel
50121902	IS 206MP/4NO-2E0,300-S8.3W	0 ... 1.6 mm 2 mm	5,000 Hz	Embedded	Transistor, PNP, make-contact (NO)	DC	Cable with connector, 300 mm, M8, 3-pin	Stainless steel
50121901	IS 206MP/4NO-2E0,150-S8.3W	0 ... 1.6 mm 2 mm	5,000 Hz	Embedded	Transistor, PNP, make-contact (NO)	DC	Cable with connector, 150 mm, M8, 3-pin	Stainless steel
50111437	IS 206MP/4NO-2E0	0 ... 1.6 mm 2 mm	5,000 Hz	Embedded	Transistor, PNP, make-contact (NO)	DC	Cable, 2,000 mm, 3-wire	Stainless steel

**Dimensioned drawings: IS 206**



IS 206 series



ISS 206 series

**ACCESSORIES: MINIATURE SENSORS**

**Connection technology**

Connection cables

Part no.	Part description	Connection 1	No. of pins	Cable length	Sheathing material
50130867	KD U-M8-3W-P1-050	Connector, M8, angled, female	3-pin	5,000 mm	PUR
50130862	KD U-M8-3W-V1-050	Connector, M8, angled, female	3-pin	5,000 mm	PVC
50130842	KD U-M8-3A-P1-020	Connector, M8, axial, female	3-pin	2,000 mm	PUR
50130844	KD U-M8-3A-P1-050	Connector, M8, axial, female	3-pin	5,000 mm	PUR
50104520	K-D M8A-3P-2m-PVC	Connector, M8, axial, female	3-pin	2,000 mm	PVC
50130832	KD U-M8-3A-V1-050	Connector, M8, axial, female	3-pin	5,000 mm	PVC

Further connection cables can be found on our website

Switching sensors

Measuring sensors

Products for safety at work

Identification

Data transmission / Control components

Industrial image processing

Accessories