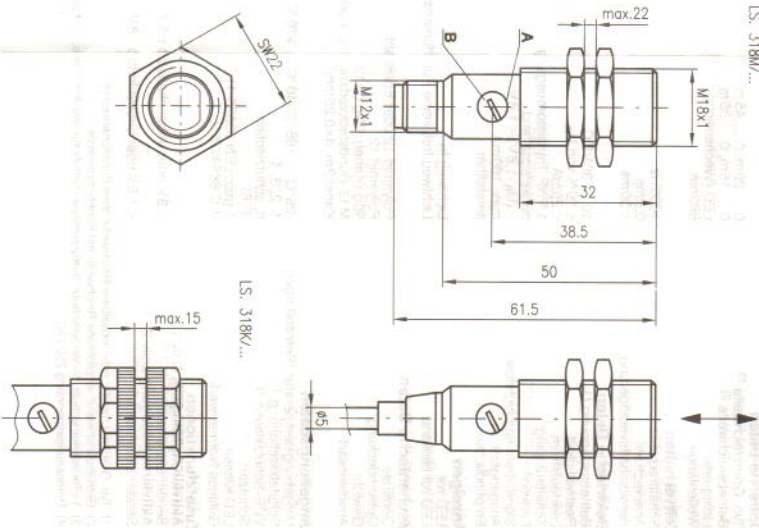




10 - 30V DC

0 ... 20m
0 ... 45m

Dimensioned drawing



Specifications

Optical data
Typ. operating range limit 1)
Operating range 2)
Light source
Wavelength

0 ... 20m, 0 ... 45m
0 ... 15m, 0 ... 35m
LED (modulated light)
880nm

Timing
Switching frequency
Response time
Delay before start-up

1000Hz
0.5ms
≤ 30ms

Electrical data
Operating voltage U_B
Residual ripple
Bias current
Switching output
Function characteristics
Signal voltage high/low
Output current
Sensitivity

10 ... 30VDC
≤ 10% of U_B
≤ 25mA
1 PNP transistor output
dark switching
≥ $(U_B - 1.5V) \leq 1.6V$
max. 100mA
adjustable

Indicators
LED red
LED red flashing

light path free
light path free, no performance reserve

Mechanical data
Housing
Optics cover
Weight
Connection type

polymide 12 or stainless steel
90g (cable), 20g (M12)
M12 connector, 4-pin
cable 2m, 4x0.25mm²

Environmental data
Ambient temp. (operation/storage)
Operating temp. (operation)
Protection class
Protection class
LED class
Standards applied

-25°C ... +65°C, 40°C ... +70°C
1, 2, 3, 4
IP 67/IP 69K
1 (acc. to EN 60825-1)
IEC 60947-5-2

Options

Activation input active 1
Transmitter active/not active
Activation input active 2
Transmitter active/not active

1) Typ. operating range limit: max. attainable range without performance reserve
2) Operating range: recommended range with performance reserve
3) 1-transmitter protection, 2-polarity reversal protection, 3-short circuit protection for all outputs, 4-anti-reference blanking
4) Rating voltage 250VAC

≥ 8V or not connected; ≤ 1.5V
≤ 1.5V or not connected; ≥ 8V

Order guide

Selection table

Equipment	Housing	Connection	Switching output	Operating range	Connection diagram
plastic	stainless steel	M12 connector	PNP	15m	transmitter
plastic	stainless steel	M12 connector	PNP	35m	transmitter
plastic	stainless steel	M12 connector	NPN	15m	receiver
plastic	stainless steel	M12 connector	NPN	35m	receiver

Order code

LSS 318K-S12
Part No. 500 81335

LSS 318K-81-S12
Part No. 500 83105

LSS 318K-70-S12
Part No. 500 82195

LSE 318K/P-81-S12
Part No. 500 83106

Tables

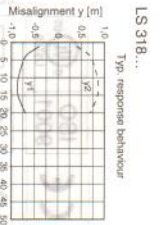
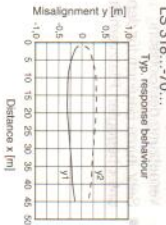
LS 318...70...	35	45
LS 318...	15	20

Operating range (m)
Typ. operating range limit (m)

Slit diaphragm	Operating range
0.5mmx9mm	2.4m
1.0mmx9mm	4.0m
2mmx9mm	6.5m

Pin diaphragm	Operating range
Ø 1.0mm	0.45m
Ø 1.5mm	1.05m
Ø 2.0mm	2.15m

Diagrams



Remarks

The throughbeam photoelectric sensors are optical electronic sensors for optical, contactless detection of objects.